

Wire to Board, Header

SWTB-C1250VS-XX

Description

The SWTB-C1250VS-XX is an SMT style connector with a 1.25 mm pitch. And is available up to 16 poles.



Features

Mechanical Properties

Description

Insulator material	PA46/LCP, UL94V-0
Ear material	Brass Tin plated over Nickel.
Contact material	Brass, Tin plated over Nickel.
Operating Temperature	-40°C~+105°C
Pitch	1.25mm
Orientation	Vertical
Dimensions	See table

Electrical Properties

Description

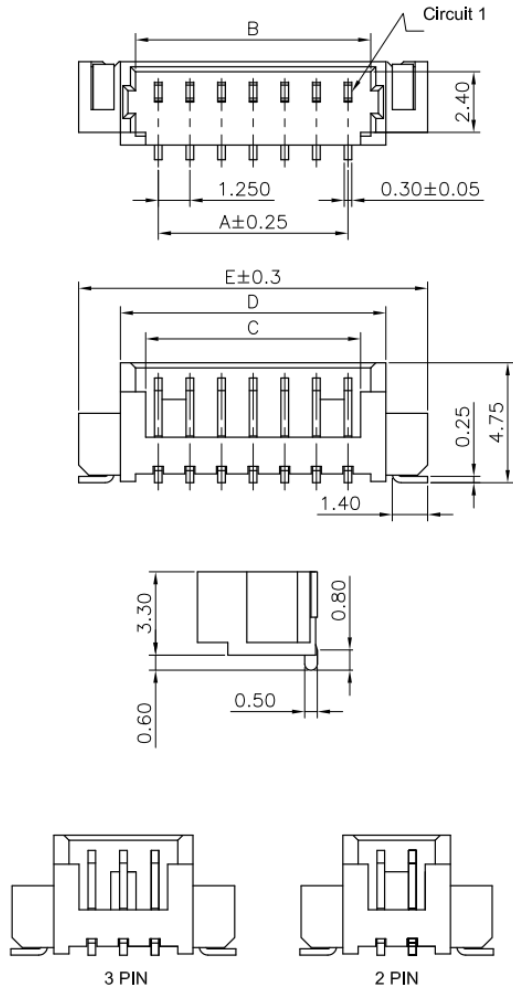
Current Rating	1A AC/DC
Voltage Rating	125V AC/DC
Contact Resistance	20 mΩ max.
Insulation Resistance	100 MΩ min.
Dielectric Withstanding	250V AC / 1 min
Voltage Rating	125V AC/DC

Wire to Board, Header

SWTB-C1250VS-XX

Dimensions

*unit: mm.



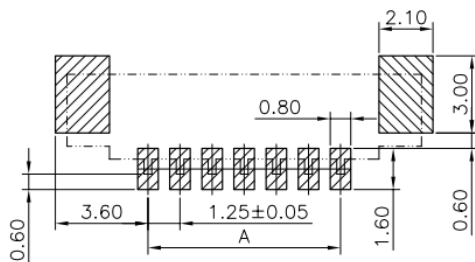
Number of Poles:

Dimensions

	A	B	C	D	E
02	1,25	3,05	2,25	4,25	7,25
03	2,50	4,30	3,50	5,50	8,50
04	3,75	5,55	4,75	6,75	9,75
05	5,00	6,80	6,00	8,00	11,00
06	6,25	8,05	7,25	9,25	12,25
07	7,50	9,30	8,50	10,50	13,50
08	8,75	10,55	9,75	11,75	14,75
09	10,00	11,80	11,00	13,00	16,00
10	11,25	13,05	12,25	14,25	17,25
11	12,50	14,30	13,50	15,50	18,50
12	13,75	15,55	14,75	16,75	19,75
13	15,00	16,80	16,00	18,00	21,00
14	16,25	18,05	17,25	19,25	22,25
15	17,50	19,30	18,50	20,50	23,50
16	18,75	20,55	19,75	21,75	24,75

PCB Footprint

*unit: mm , N = number of poles



Wire to Board, Header

SWTB-C1250VS-XX



Part number

SWTB-C1250VS-XX

SWTB-C1250VS	Style of connector
XX	Poles
	2,3,4,5,6,7,8, 9,10, 11,12, 13

Ordering information

Ordering can be done via www.summit-electronics.com or via info@summit-electronics.com. Please contact us for more information. Customisation of the product is available on request.

Technical support

For all product questions please contact us via info@summit-electronics.com

Document revision

Rev	Date	changes
V01.00	26-06-2023	First issue of document, EK